

Han-Eco Mod.16 Outd.-HSM2-M40-glanded

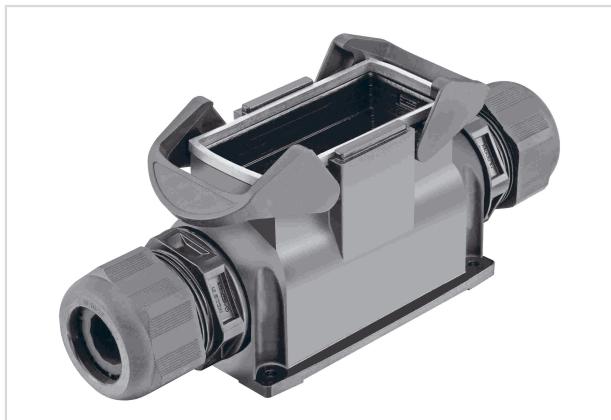


Image is for illustration purposes only. Please refer to product description.

| | |
|--------------------|---|
| Part number | 19 41 316 0273 |
| Specification | Han-Eco Mod.16 Outd.-HSM2-M40-glanded |
| HARTING eCatalogue | https://b2b.harting.com/19413160273 |

Identification

| | |
|-----------------------------|-----------------------------|
| Category | Hoods/Housings |
| Series of hoods/housings | Han-Eco® Modular |
| Type of hood/housing | Surface mounted housing |
| Description of hood/housing | With integrated cable gland |

Version

| | |
|--------------|----------------------|
| Size | 16 B |
| Module slots | 5 |
| Version | Side entry |
| Cable entry | 2x M40 |
| Locking type | Double locking lever |

Technical characteristics

| | |
|--|--|
| Limiting temperature | -40 ... +125 °C |
| Note on the limiting temperature | For use as a connector according to IEC 61984. |
| Number of relockings | ≥500 |
| Degree of protection acc. to IEC 60529 | IP65 |
| Clamping range | 16 ... 28 mm |

Material properties

| | |
|-------------------------|--|
| Material (hood/housing) | Polyamide (PA) Fibre-glass reinforced |
| Colour (hood/housing) | RAL 9005 (jet black) |



Pushing Performance
Since 1945

Material properties

| | |
|--|--|
| Material (seal) | FPM |
| Colour (seal) | RAL 7001 (silver-grey) |
| Material (locking) | Polyamide (PA) Fibre-glass reinforced |
| Colour (locking) | RAL 9005 (jet black) |
| Material flammability class acc. to UL 94 | V-0 |
| Material flammability class acc. to UL 94 (locking levers) | V-0 |
| RoHS | compliant |
| ELV status | compliant |
| China RoHS | e |
| REACH Annex XVII substances | Not contained |
| REACH ANNEX XIV substances | Not contained |
| REACH SVHC substances | Not contained |
| Fire protection on railway vehicles | EN 45545-2 (2020-08) |
| Requirement set with Hazard Levels | R22 (HL 1-3) R23 (HL 1-3) |

Specifications and approvals

| | |
|----------------|---|
| Specifications | IEC 61984 EN 45545-2 Fire protection on railway vehicles |
| UL / CSA | UL 1977 ECBT2.E235076 CSA-C22.2 No. 182.3 ECBT8.E235076 |
| CE | Yes |

Commercial data

| | |
|--------------------------------|--|
| Packaging size | 1 |
| Net weight | 364 g |
| Country of origin | Germany |
| European customs tariff number | 85389099 |
| GTIN | 5713140131859 |
| eCl@ss | 27440202 Shell for industrial connectors |